

## DATA SHEET

Pipe system for petrol stations

SECON<sup>®</sup>-X

Double wall flexible fill pipe for automotive fuels in petrol station construction

## System advantages

- flexible, double walled
- impermeable and safe from corrosion
- fast and simple to install
- environmentally safe
- the most cost effective metallic pipe

## General Description

SECON<sup>®</sup>-X has been specially developed as a coaxial pipe for underground service in petrol stations. Fast and easy installation without welding, early completion and minimal downtime on retrofits are only some of the major advantages of SECON<sup>®</sup>-X.

## Construction

SECON<sup>®</sup>-X is a flexible pipe system with a stainless steel primary pipe capable of being tested and even monitored for leaks. The SECON<sup>®</sup>-X double wall pipe system consists of a helically convoluted stainless steel primary pipe, and a polyethylene secondary containment casing pipe. Helical channels are formed by the geometry of the primary pipe around the circumference, aided by longitudinal channels in the secondary pipe. Both extend over the entire length of the pipe. These longitudinal channels between the carrier and casing pipe provide the necessary annular gap for the safe and contained flow of leaking product along and within the coaxial pipe.

The stainless steel primary pipe of SECON<sup>®</sup>-X is not only safe from corrosion but is also a permeation proof barrier. It is also capable of handling the future generation of automotive fuels. Being made of corrosion proof materials SECON<sup>®</sup>-X does not need any additional cathodic protection.

## Fields of application

SECON<sup>®</sup>-X pipes, subject to compliance with local and national requirements, are designed for use as:

- Suction pipes
- Pressure pipes
- Fill pipes



## Sizes and Pressure ratings

Available sizes: DN (nom. bore) 40 (1 1/2"), 50 (2") and 100 (4")

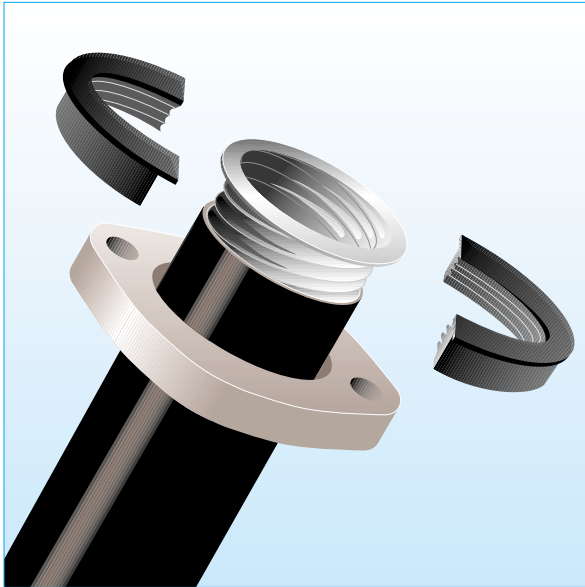
Max. operating pressure: + 10.0 bar (145 PSIG) or any pressure below atmospheric pressure.

## Connection method

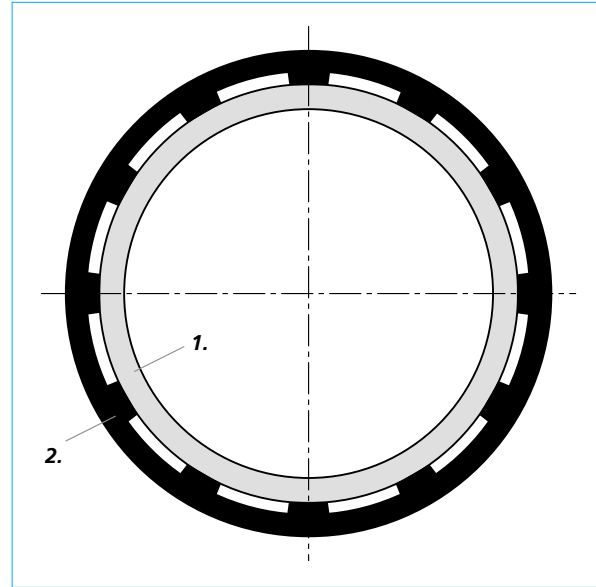
Non-weld, flared end with gasket, ending with round or oval collar flanges. Threaded male adaptors available.

## Installation

SECON<sup>®</sup>-X is available ex works coiled in lengths of up to 150 m (500 ft). The convoluted primary pipe gives this pipe extraordinary good bendability for ease of installation. SECON<sup>®</sup>-X can easily be cut to the required lengths on site and - where necessary - bent at very tight radii. Unlike with plastic piping there is virtually no spring back once bent. A feature that makes the contractors job a lot easier and quicker. It also saves money.



**Fig. 1:** SECON®X connection:  
Non-weld, flared end, ending with round or oval collar flanges. Threaded male adaptors also available.



**Fig. 2:** SECON®X construction:  
1. convoluted stainless steel primary pipe  
2. internally fluted PE-LD jacket

### Physical properties of SECON®X pipes

Type designation:	SECON®X	SEC 40	SEC 50	SEC 100
material:	<ul style="list-style-type: none"> <li>primary pipe: stainless steel EN 1.4571*</li> <li>secondary pipe: PE-LD</li> </ul>	•	•	•
max. operating pressure for:	<ul style="list-style-type: none"> <li>all connector types</li> </ul>	+ 10,0 bar/ 145 PSI	+ 10,0 bar/ 145 PSI	+ 10,0 bar/ 145 PSI
nominal bore**:		DN 40 / 1 1/2"	DN 50 / 2"	DN 100 / 4"
dimensions:	<ul style="list-style-type: none"> <li>internal diameter</li> <li>external diameter</li> <li>volume primary pipe (litres/lin. m)</li> </ul>	48 mm 63 mm 2,00	60 mm 75 mm 3,00	98 mm 121 mm 8,40
mean bending radius:		300 mm	400 mm	800 mm
weight:	(kg/lin. m)	1,6	2,1	4,7
available type of connectors:	<ul style="list-style-type: none"> <li>flared type connection, oval flange</li> <li>- do-, ext. threaded male adaptor***</li> <li>flared type connection, round flange</li> </ul>	• • •	• • •	not available not available •
Recommendation for use: **	<ul style="list-style-type: none"> <li>suction line</li> <li>pressure pipe</li> <li>gravity fill pipe</li> </ul>	• •	• •	• •

\* US equivalent: AISI TP 316 Ti;

\*\* sizing in accordance with actual heads loss computations for gaseous or liquid gasoline;

\*\*\* NPT or Whitworth (R)

\*\*\*\* Subject to compliance with local and national regulation;

BRUGG Rohrsysteme GmbH  
Adolf-Oesterheld-Straße 31  
D-31515 Wunstorf  
Telefon +49 (50 31) / 170-0  
Telefax +49 (50 31) / 170-170  
e-mail: info@brugg.de  
http://www.brugg.de

Brugg Rohrsystem AG  
Industriestraße 39  
CH-5314 Kleindöttingen  
Telefon +41 (56) 2 68 78 78  
Telefax +41 (56) 2 68 78 79  
e-mail: pipesystems@kwbrugg.ch  
http://www.pipesystems.com



**BRUGG – the name for intelligent pipe systems**